

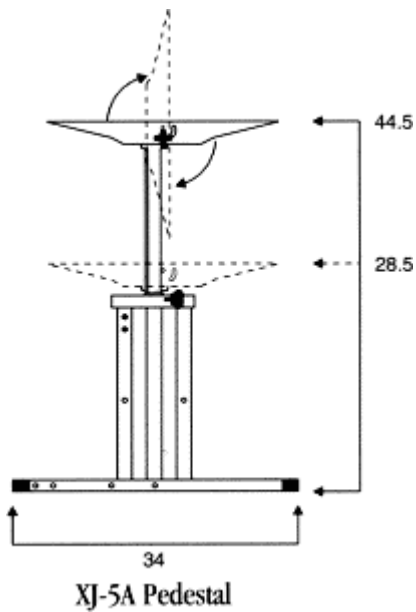


Dakota Series Pedestals/Workstations

Manufactured by Atlantic Marketing

Universal Compatible

Dakota Series Pedestals are compatible with most all major digitizer brands, Most computer monitors and printers are accommodated by Dakota's accessory arms.



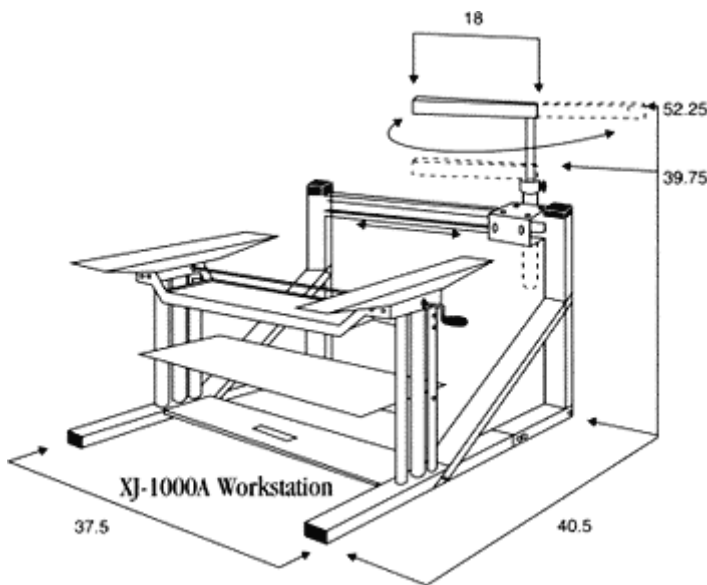
XJ-5A
Dakota Pedestal

- ?? Smooth turning crank with precision rack & pinion adjusts with gas spring table height from 28.5 to 44.5 inches
- ?? Tilt angles from 0 to near 90 degrees
- ?? Includes Levelers or optional ca

Model	Description	Price
	Digitizer Pedestal	
XJ-5A	Includes Precision Rack & Pinion, Gas Spring, and Floor Levelers. * 4 Caster Set Recommended	\$949.00

GTCO CalComp

PERIPHERALS



XJ-1000A Dakota Workstation

- ?? Includes X5-5A
- ?? Smooth turning crank adjusts desktop and digitizer workstations
- ?? Single monitor arm and keyboard swivels 180 degrees to easily adjust to your needs
- ?? Sliding monitor arm supports 14 to 27 inch monitors
- ?? Adjustable computer shelf
- ?? Small footprint - 10.5sq'

Single Monitor Digitizer Workstation

DKT-XJ1000A Includes Digitizer Pedestal XJ-5A, Monitor Support Assembly, 1 Monitor Arm with Keyboard Tray, and 1 Computer Shelf \$1,679.00

** 6 Caster Set Recommended

GTCO CalComp

PERIPHERALS



XJ-1500A

Dakota Workstation

- ?? Includes XJ-1000A
- ?? "Start small, add later" - All workstations are modular
- ?? Includes second monitor arm or printer arm

Double Monitor/Printer, CADD/Digitizer Workstation

Includes Digitizer Pedestal XJ-5A, Monitor Support Assembly,

DKT-XJ1500A

2 Monitor Arms with Keyboard Tray, and 1 Computer Shelf

\$1,979.00

Note: Choice of Printer Arm \$50 additional

** 6 Caster Set Recommended



<u>Model</u>	<u>Description</u>	<u>Price</u>
DKT-XJ-C1	Computer Shelf Supports All Desktop and Horizontal Computers	\$169.00
DKT-PHD	Plans Hold-Down Fits most 36" x 48" Digitizers	\$189.00
DKT-PHD-C	Plans Hold-Down Fits 36"x48" Calcomp Drawing Board III or GTCO 42"x60"	\$189.00
DKT-XJ-LC4	* 4 Caster Set Fits XJ-5A. 2 Locking & 2 Rolling Casters	\$59.00
DKT-XJ-LC6	** 6 Caster Set Fits XJ-1000A and XJ-1500A. 2 Locking & 4 Rolling Casters	\$79.00
DKT-XJ-TT3648	Table Top Top for Pedestal to use with 36" x 48" Roll-Up Digitizer Footprint - 43" x 60"	\$249.00
DKT-XJ-TT3036	Table Top Top for Pedestal to use with 30" x 36" Roll-Up Digitizer Footprint - 43" x 48"	\$239.00

ALL PRICES SUBJECT TO CHANGE WITHOUT NOTICE